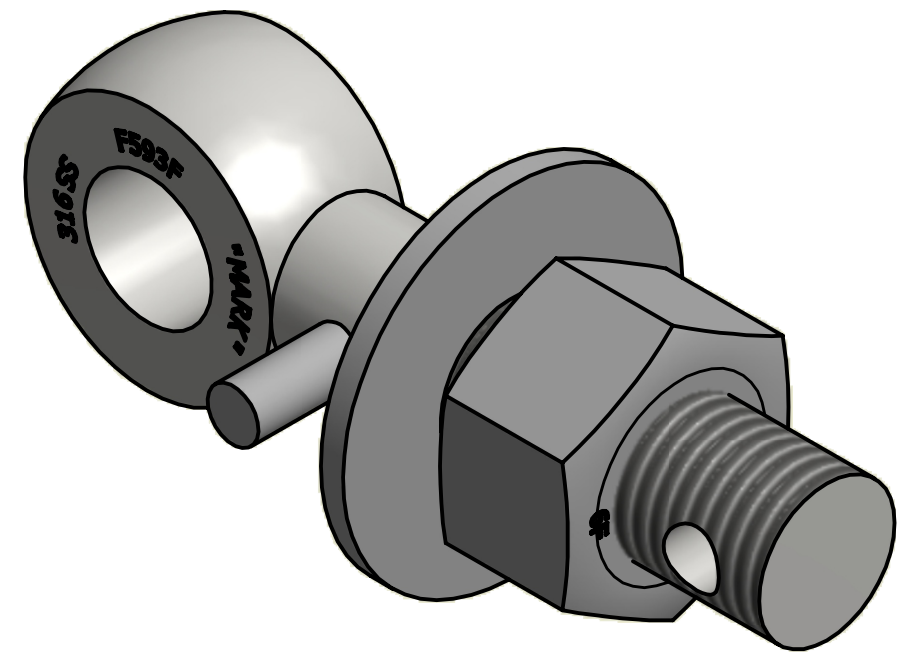
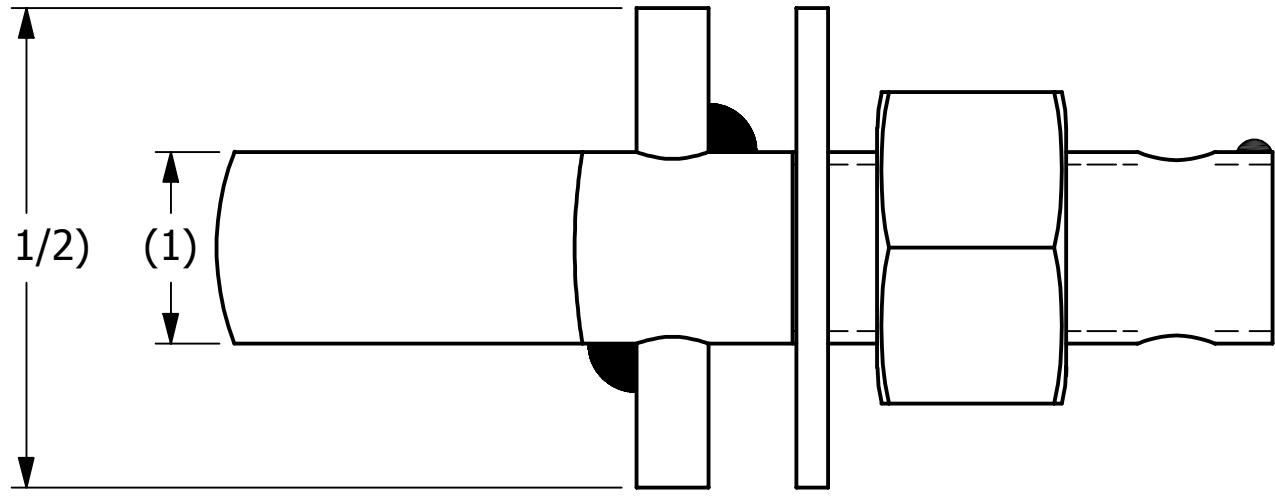
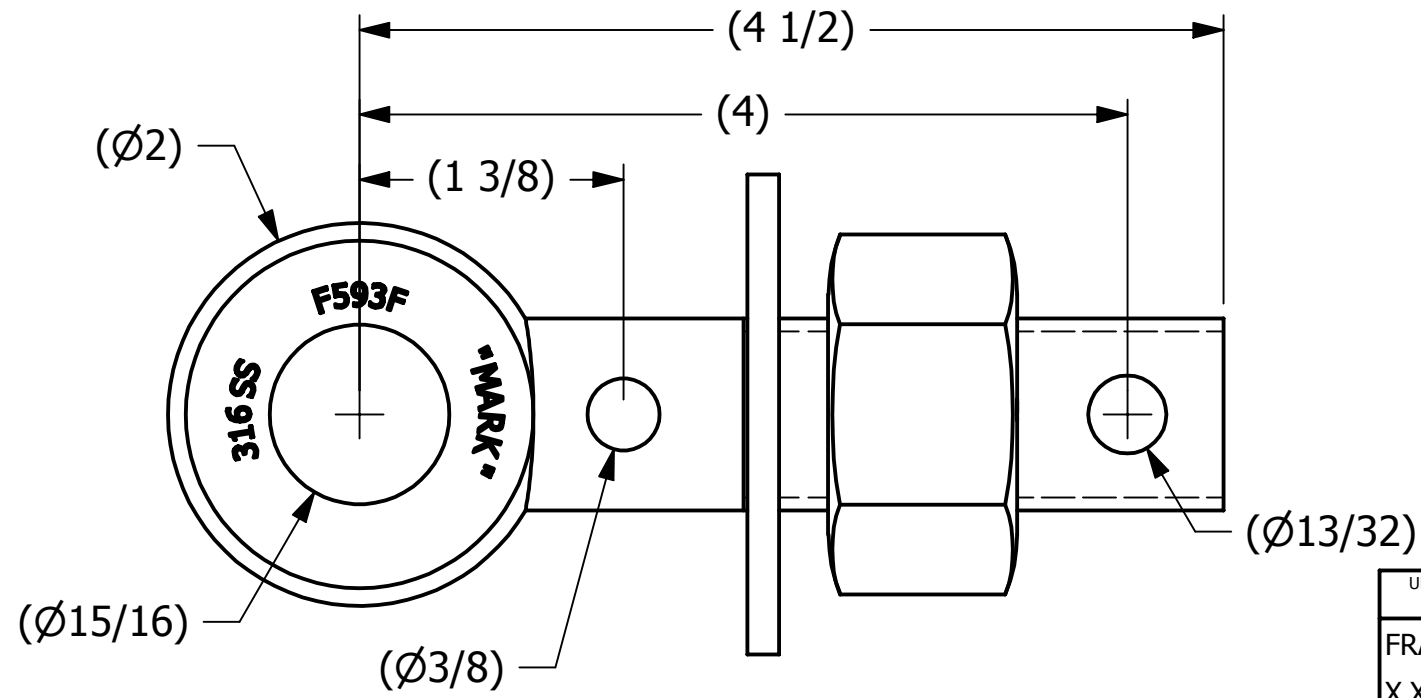


SALES DRAWING

SALES DRAWING



ISOMETRIC VIEW



| REV | BY  | DATE     | DESCRIPTION                |
|-----|-----|----------|----------------------------|
| B   | CHL | 10-25-10 | REPLACED WASH1S4 W/WASH1S6 |
| A   | CHL | 2-7-06   | NEW PART ADDED TO SYSTEM   |

|   |       |                             |            |
|---|-------|-----------------------------|------------|
| UNLESS OTHERWISE SPECIFIED<br>DIMENSIONAL TOLERANCES  |       | DRAWN BY:                   | CHL        |
| FRACTIONAL:   | ±1/16 | CHECKED BY:                 | ACC        |
| X.XX:   | ±.03  | PROTOTYPE BY:               | CHL        |
| X.XXX:  | ±.015 | PROTOTYPE DATE:             | 12/22/2005 |
| ANGULAR:  | ±1°   | APPROVED FOR PRODUCTION BY: | ACC        |
| THIS PRINT, PROPERTY OF SALCO PRODUCTS INC.,<br>CONTAINS PROPRIETARY INFORMATION AND MUST<br>NOT BE COPIED, REPRODUCED, OR USED<br>DETRIMENTALLY TO OUR INTEREST. |       | PRODUCTION DATE:            | 12/22/2005 |
| THIRD ANGLE PROJECTION  |       |                             |            |

|   |                |          |                    |
|---|----------------|----------|--------------------|
|   |                |          |                    |
| PART NAME:<br><b>EYEBOLT ASSEMBLY 1"X4 1/2"</b> |                |          |                    |
| MATERIAL: <b>316 SS/416 SS</b>                  |                |          |                    |
| PROJECT #:                                      | <b>WAG0293</b> | SHEET #: | <b>1 OF 1</b>      |
| DRAWING #:                                      | <b>B21371</b>  | PART #:  | <b>EB145XHAS6P</b> |
| SCALE: <b>1:1</b>                               |                |          |                    |

B

B

A

A

A

A

4

3

2

1

4

3

2

1